



ELECTRIC WIRE ROPE HOIST

ELECTRIC WIRE ROPE HOIST



TAIWAN : HOITECH MACHINERY INDUSTRIAL CO., LTD

VIETNAM : QUANG LIEN CRANE ELEVATOR CO., LTD.

DC Brake

New design of DC brake electromagnetic motor disc system works precisely and synchronously with motors, and with a rectifier for trouble free.



DC BRAKE

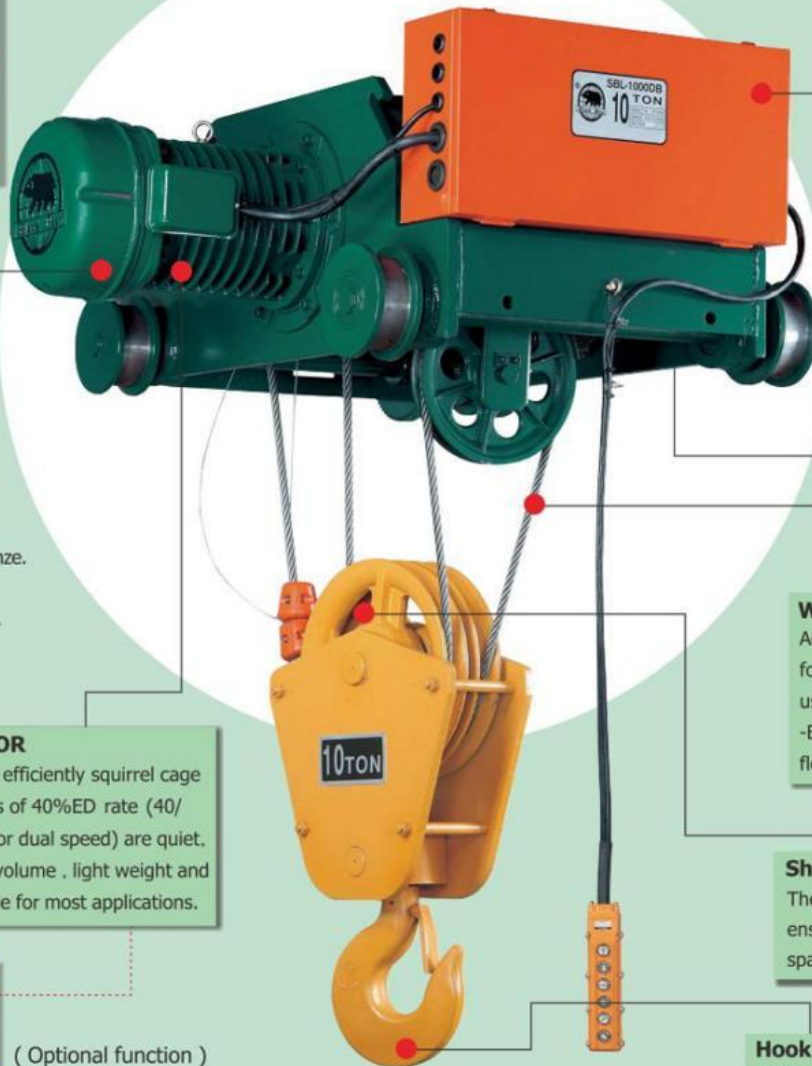
1. Take on Germany supplier, Lenze.
2. Durable wear-resisting.
3. Rapid reaction with low noise.
4. Installation convenient as an integral design.

MOTOR

Highly efficiently squirrel cage motors of 40%ED rate (40/20% for dual speed) are quiet, small volume, light weight and suitable for most applications.



(Optional function)
A 60%ED rate motor with cooling fan is available for heavy duty condition.



Control box

IP-20 control box is applied; Higher IP degree is available upon request.

Gear box

Hoist reduction gear system are made of alloy steel with surface harden treatment for long lasting life span.

Wire rope

According to JIS no.6 standard for wire rope applications, we use 6x37-A and IWRC 6xFi (29)-B wire rope which features flexible and long life span.

Sheave

The proper diameter of sheave ensures the operation and life span of wire rope.

Hook

Hot forged hooks with thrust bearing are enable to be swiveled 360°

PRODUCT CODE

T

Model

T : MONORAIL TROLLEY
S : SADDLE TROLLEY
F : FOOTMOUNT

B

Gear box

P : 2.2kw x 4P
K : 3kw x 4P
G : 5kw x 4P
B : 7.5~11kw x 4P
CA : 11~13kw x 4P
EA : 13kw x 4P
FA : 18.5kw x 4P

H

Reeving/Falling

N:1/1 H:2/4
M:1/2 I:2/6
L:1/4 J:2/8
P:1/6 K:2/10

D

Blank:single speed
D : Only hoist dual speed
D1 : Only trolley dual speed
D2 : Both hoist & trolley dual speed

500

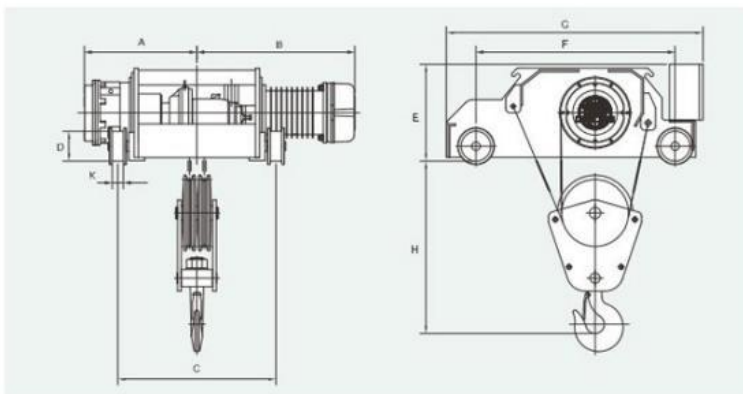
S.W.L.

100 : 1ton
200 : 2ton
300 : 3ton
500 : 5ton
750 : 7.5ton
1000 : 10ton
1500 : 15ton
2000 : 20ton
3000 : 30ton

DB

DC BRAKE

SB.SCA.SEA series



SPECIFICATIONS & DIMENSIONS :

Model	Capacity (ton)	Lift (m)	Hoisting				Traversing				Wire Rope		Approximate Dimension (mm)										Approximate Weight (kg)				
			Speed(m/min)		Motor kw pole	ED %		Speed(m/min)		Motor kw pole	ED %		φ mm	R/F	H	A		B		C	D	E		F	G	K	
			60Hz	50Hz		Single	Dual	60Hz	50Hz		Single	Dual				Single	Dual	Single	Dual			Single					Dual
SBH-500DB	5	6	7.3	6.1	7.5	40	40/20	21	18	0.75	40	40/20	φ 10	2/4	750	553	722	875	850	150	545	545	690	988	45	680	
SBHD-500DB		9	7.3/2.4	6.1/2.0	7.5/2.5			21/7	18/6	0.75/0.25						603	772	925	850							690	
		12			4/1.2P					4/1.2P						743	912	1065	1150							720	
SBH-750DB	7.5	6	7.3	6.1	1.1	40	40/20	20	17	1.1	40	40/20	φ 14	2/4	1200	608	867	929	850	160	550	550	790	1095	60	880	
SBHD-750DB		9	7.3/2.4	6.1/2.0	1.1/3.7			20/6	17/6	1.1/0.37						743	1002	1064	1150							1050	
		12			4/1.2P					4/1.2P						833	1092	1154	1300							1250	
SBL-1000DB	10	6	5.0	4.2	1.1	40	40/20	15	13	1.1	40	40/20	φ 16	1/4	1300	605	849	911	850	160	570	570	970	1280	60	1070	
SBLD-1000DB		9	5.0/1.7	4.2/1.4	1.1/3.7			15/5	13/4	1.1/0.37						673	917	979	1150							1080	
		12			4/1.2P					4/1.2P						773	1017	1079	1150							1210	
SCAH-1000DB	10	6	5.1	4.3	1.1	40	40/20	17	14	1.1	40	40/20	φ 16	2/4	1500	702	849	911	850	180	580	580	920	1250	60	1290	
SCAHD-1000DB		9	5.1/1.7	4.3/1.4	1.1/3.7			17/6	14/5	1.1/0.37						817	964	1026	1150							1430	
		12			4/1.2P					4/1.2P						914	1061	1123	1300							1590	
SEAL-1500DB	15	8	4.4	3.7	1.5	40	40/20	18	15	1.5	40	40/20	φ 20	1/4	1550	690	969	969	1150	200	715	715	1160	1500	60	1550	
SEALD-1500DB		10	4.4	3.7	1.5			18/6	15/5	1.5/0.5						735	1014	1014	1150							1765	
		12	4.4/1.5	3.7/1.2	1.5/0.5					4/1.2P						801	1080	1080	1300							2000	
SCAL-2000DB	20	8	3.2	2.7	1.5	40	40/20	18	15	1.5	40	40/20	φ 20	1/4	1700	760	969	969	1150	200	715	715	1160	1500	60	1950	
SCALD-2000DB		10	3.2	2.7	1.5			18/6	15/5	1.5/0.5						806	1014	1014	1150							2080	
		12	3.2/1.1	2.7/0.9	1.5/0.5					4/1.2P						872	1080	1080	1300							2230	

1.R/F=Reeving/falling numbers.

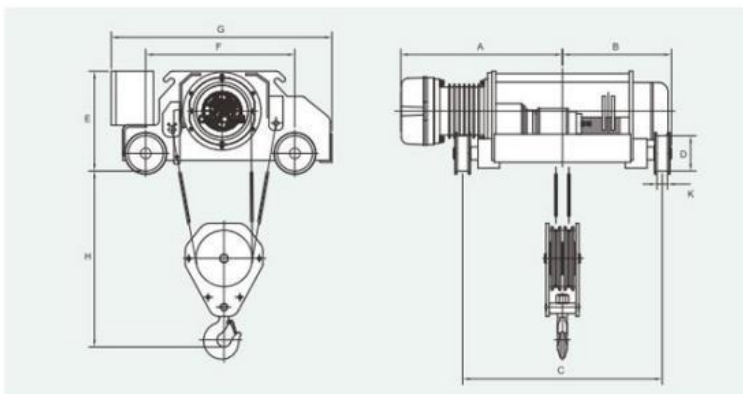
2.Dual speed model under green shadow.

3.Traversing pinion 5 ton M3.5x23t, 7.5 ton M3.5x20t, 10-20 ton M3.5x23t.

4.Traversing motor standard supply, 50 Hz or 60Hz all used 4 pole, or please specify.

5.Traversing motor: used reducing gear motor.

SK.SG series



SPECIFICATIONS & DIMENSIONS :

Model	Capacity (ton)	Lift (m)	Hoisting				Traversing				Wire Rope		Approximate Dimension (mm)										Approximate Weight (kg)			
			Speed(m/min)		Motor kw pole	ED %		Speed(m/min)		Motor kw pole	ED %		φ mm	R/F	H	A		B	C	D	E			F	G	K
			60Hz	50Hz		Single	Dual	60Hz	50Hz		Single	Dual				Single	Dual				Single	Dual				
SKM-200DB	2	6	8	6.7	3	40	40/20	20	17	0.25	40	40/20	φ 10	1/2	600	679	679	401	600	120	390	460	615	923	40	420
SKMD-200DB		9	8/2.7	6.7/2.2	3/1			20/6	17/6	0.25/0.08						679	679	401	600							440
		12			4/1.2P					4/1.2P						732	732	462	850							450
SKH-200DB	2	6	8	6.7	3	40	40/20	20	17	0.25	40	40/20	φ 8	2/4	600	701	701	462	850	120	390	460	615	923	40	450
SKHD-200DB		9	8/2.7	6.7/2.2	3/1			20/6	17/6	0.25/0.08						788	788	509	850							470
		12			4/1.2P					4/1.2P						874	874	612	1150							490
SKL-300DB	3	6	4.4	3.7	3	40	40/20	21	18	0.4	40	40/20	φ 10	1/4	650	729	729	465	850	150	425	495	725	1030	45	500
SKLD-300DB		9	4.4/1.5	3.7/1.2	3/1			21/7	18/6	0.4/0.13						801	801	523	850							530
		12			4/1.2P					4/1.2P						953	953	675	1150							560
SGM-300DB	3	6	8	6.7	5	40	40/20	21	18	0.4	40	40/20	φ 12	1/2	750	677	760	477	850	150	495	495	660	968	45	490
SGMD-300DB		9	8/2.7	6.7/2.2	5/1.7			21/7	18/6	0.4/0.13						677	760	477	850							500
		12			4/1.2P					4/1.2P						779	862	579	850							510
SGH-300DB	3	6	8	6.7	5	40	40/20	21	18	0.4	40	40/20	φ 10	2/4	750	729	812	529	850	150	495	495	635	940	45	520
SGHD-300DB		9	8/2.7	6.7/2.2	5/1.7			21/7	18/6	0.4/0.13						802	885	602	850							580
		12			4/1.2P					4/1.2P						919	1002	719	1150							610
SGL-500DB	5	6	4.4	3.7	5	40	40/20	21	18	0.75	40	40/20	φ 10	1/4	700	729	812	529	850	150	495	545	725	1030	45	570
SGLD-500DB		9	4.4/1.5	3.7/1.2	5/1.7			21/7	18/6	0.75/0.25						802	885	602	850							590
		12			4/1.2P					4/1.2P						949	1032	749	1150							630

1.R/F=Reeving/falling numbers.

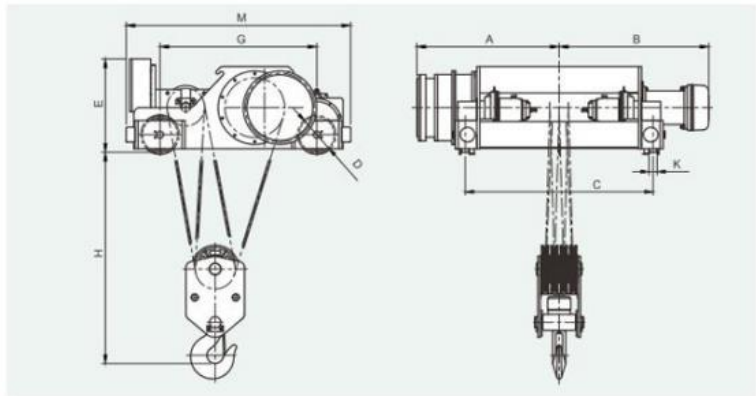
2.Dual speed model under green shadow.

3.Traversing pinion 2 ton M3.5x15t, 3-5 ton, M3.5x23t.

4.Traversing motor standard supply, 50 Hz or 60Hz all used 4 pole, or please specify.

5.Traversing motor: 2 ton used planetary reducing gear motor, 3-5 ton used reducing gear motor.

SFA series



SPECIFICATIONS & DIMENSIONS :

Model	Capacity (ton)	Lift (m)	Hoisting				Traversing				Wire Rope		Approximate Dimension (mm)										Approximate Weight (kg)		
			Speed (m/min)		Motor kw pole	ED %		Speed (m/min)		Motor kw pole	ED %		H	A	B		C	D	E	G	K	M			
			60Hz	50Hz		Single	Dual	60Hz	50Hz		Single	Dual			φ mm	R/F								Single	Dual
SFAH-1500DB	15	8	6.1	5.1	18.5 4P	40	40/20	18	15	1.5 4P	40	40/20	φ 18	2/4	1600	1007	1069	1187	1150	200	725	1150	60	1475	2115
SFAHD-1500DB		10	6.1/2.0	5.1/1.7	18.5/6.2 4/1 2P	40	40/20	18/6	15/5	1.5/0.5 4/1 2P	40	40/20	φ 18	2/4	1600	1053	1115	1233	1400						2351
SFAJ-3000DB		12	3.0	2.5	18.5 4P	40	40/20	21	17.5	1.5 X 2 4P	40	40/20	φ 18	2/8	1800	1093	1155	1273	1400						2528
SFAJD-3000DB	30	8	3.0	2.5	18.5 4P	40	40/20	21	17.5	1.5 X 2 4P	40	40/20	φ 18	2/8	1800	1113	1175	1293	1400	300	730	1336	70	1936	2500
SFAJD-3000DB		10	3.0/1.0	2.5/0.8	18.5/6.2 4/1 2P	40	40/20	21/7	17.5/5.5	1.5/0.5 X 2 4/1 2P	40	40/20	φ 18	2/8	1800	1213	1275	1393	1600						2725
SFAJD-3000DB		12	3.0/1.0	2.5/0.8	18.5/6.2 4/1 2P	40	40/20	21/7	17.5/5.5	1.5/0.5 X 2 4/1 2P	40	40/20	φ 18	2/8	1800	1313	1375	1493	1800						2950

1.R/F=Reeving/falling numbers.

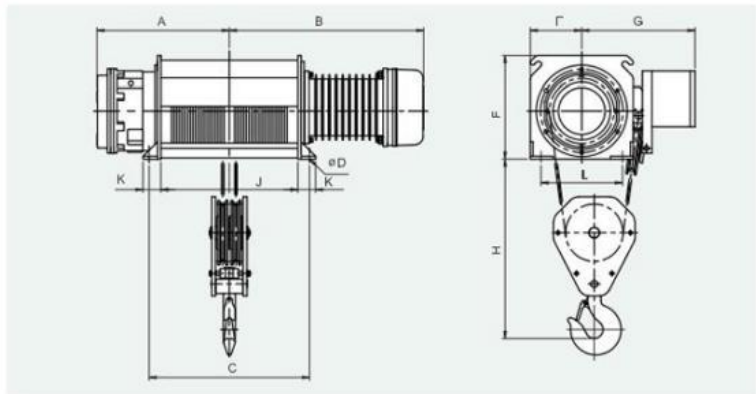
2.Dual speed model under green shadow.

3.Traversing pinion M4x18t.

4.Traversing motor standard supply, 50 Hz or 60Hz all used 4 pole, or please specify.

5.Traversing motor: used reducing gear motor.

FP.FK.FG.FB series

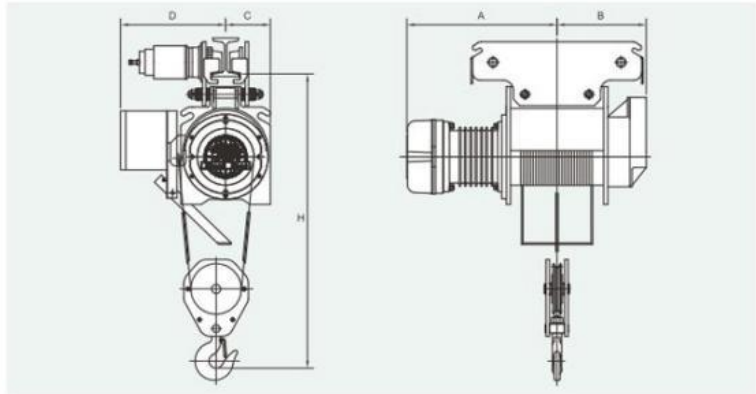


SPECIFICATIONS & DIMENSIONS :

Model	Capacity (ton)	Lift (m)	Hoisting				Wire Rope		Approximate Dimension (mm)													Approximate Weight (kg)
			Speed (m/min)		Motor kw pole	ED %	φ mm	R/F	H	A	B	C	D	E	F	G	J	K	L			
			60Hz	50Hz																		
FPM-100DB	1	6	10.8	9	2.2 4P	40	φ 8	1/2	650	314	540	467	φ 16	322	150	450	353	82	280	205		
		9																		453	215	
		12																		553	225	
		15																		653	235	
FKM-200DB	2	6	8	6.7	3 4P	40	φ 10	1/2	1150	348	627	466	φ 16	402	232	420	352	82	260	319		
		9																		457	339	
		12																		562	359	
		15																		667	379	
FKH-200DB	2	6	8	6.7	3 4P	40	φ 8	2/4	1150	422	701	614	φ 16	390	232	433	520	72	260	359		
		9																		509	399	
		12																		596	439	
		15																		682	479	
FGM-300DB	3	6	8	6.7	5 4P	40	φ 12	1/2	1250	435	635	482	φ 16	442	185	430	368	82	280	330		
		9																		477	350	
		12																		579	370	
		15																		634	390	
FKL-300DB	3	6	4.4	3.7	3 4P	40	φ 10	1/4	1100	450	729	670	φ 16	372	275	443	556	82	310	350		
		9																		523	390	
		12																		675	430	
		15																		814	470	
FGH-300DB	3	6	8	6.7	5 4P	40	φ 10	2/4	1250	529	729	670	φ 16	430	185	443	572	74	280	330		
		9																		602	365	
		12																		749	395	
		15																		859	425	
FGL-500DB	5	6	4.4	3.7	5 4P	40	φ 10	1/4	1100	529	729	670	φ 16	442	285	453	556	82	330	413		
		9																		602	433	
		12																		749	490	
		15																		859	540	
FBH-500DB	5	6	7.3	6.1	7.5 4P	40	φ 10	2/4	1300	553	722	670	φ 16	440	215	483	572	74	350	483		
		9																		603	523	
		12																		743	583	
		15																		838	633	

1.R/F=Reeving/falling numbers.

TP.TK.TG series



SPECIFICATIONS & DIMENSIONS :

Model	Capacity (ton)	Lift (m)	Hoisting						Traversing						Wire Rope		Approximate Dimension (mm)								Approximate Weight (kg)
			Speed(m/min)		Motor kw pole	ED %		Speed(m/min)		Motor kw pole	ED %		φ mm	R/F	H	A		B		C		D		Adjust for Std. I-Beam (mm)	
			60Hz	50Hz		Single	Dual	60Hz	50Hz		Single	Dual				Single	Dual	Single	Dual	Single	Dual	Single	Dual		
TPM-100DB	1	6	10.8	9	2.2 4P	40	40/20	24	20	0.25 4P	40	40/20	φ 8	1/2	1050	540	621	314	210	210	380	380	75-125	246	
TPMD-100DB		9	10.8/3.6	9/3	2.2/0.73 4/12P	40	40/20	24/8	20/6	0.25/0.08 4/12P	40	40/20	φ 8	1/2	1050	590	671	364	210	210	380	380	75-125	256	
TKM-200DB		12	8	6.7	3 4P	40	40/20	24	20	0.25 4P	40	40/20	φ 10	1/2	1150	640	721	414	232	232	410	410	100-150	266	
TKMD-200DB	2	6	8	6.7	3 4P	40	40/20	24	20	0.25 4P	40	40/20	φ 10	1/2	1150	627	627	350	232	232	410	410	100-150	370	
TKH-200DB		9	8/2.7	6.7/2.2	3/1 4/12P	40	40/20	24/8	20/6	0.25/0.08 4/12P	40	40/20	φ 10	1/2	1150	679	679	403	232	232	410	410	100-150	390	
TKHD-200DB		12	8	6.7	3 4P	40	40/20	24	20	0.25 4P	40	40/20	φ 8	2/4	1150	732	732	455	232	232	433	433	100-150	410	
TKL-300DB	3	6	4.4	3.7	3 4P	40	40/20	18	15	0.6 4P	40	40/20	φ 10	1/4	1150	701	701	422	275	275	443	443	125-175	420	
TKLD-300DB		9	4.4/1.5	3.7/1.2	3/1 4/12P	40	40/20	18/6	15/5	0.6/0.2 4/12P	40	40/20	φ 10	1/4	1150	788	788	509	275	275	443	443	125-175	440	
TGM-300DB		12	8	6.7	3 4P	40	40/20	18	15	0.6 4P	40	40/20	φ 12	1/2	1200	874	874	596	185	210	430	455	125-175	450	
TGMD-300DB	3	6	8	6.7	3 4P	40	40/20	18	15	0.6 4P	40	40/20	φ 10	2/4	1200	729	729	518	185	210	443	468	125-175	410	
TGH-300DB		9	8/2.7	6.7/2.2	3/1 4/12P	40	40/20	18/6	15/5	0.6/0.2 4/12P	40	40/20	φ 12	1/2	1200	801	801	523	185	210	443	468	125-175	450	
TGHD-300DB		12	8	6.7	3 4P	40	40/20	18	15	0.6 4P	40	40/20	φ 10	2/4	1200	953	953	675	185	210	443	468	125-175	490	
TGL-500DB	5	6	4.4	3.7	3 4P	40	40/20	18	15	0.6 4P	40	40/20	φ 10	1/4	1200	635	718	435	300	300	468	468	125-175	410	
TGLD-500DB		9	4.4/1.5	3.7/1.2	3/1 4/12P	40	40/20	18/6	15/5	0.6/0.2 4/12P	40	40/20	φ 10	1/4	1200	779	862	579	300	300	468	468	125-175	430	
TGLD-500DB		12	8	6.7	3 4P	40	40/20	18	15	0.6 4P	40	40/20	φ 10	1/4	1200	919	1002	719	300	300	468	468	125-175	450	

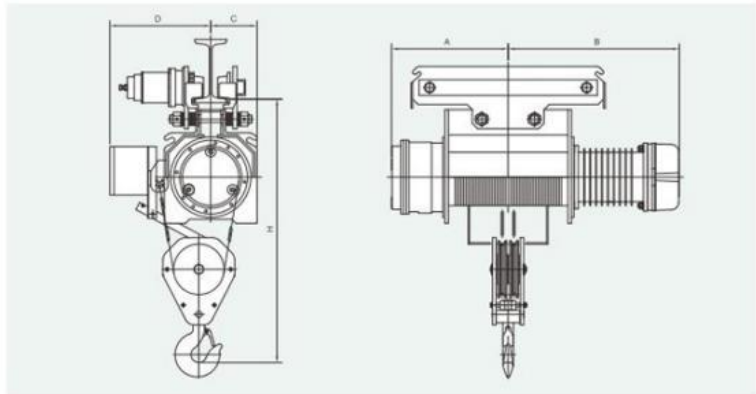
1.R/F=Reeving/falling numbers.

2.Dual speed model under green shadow.

3.Traversing pinion 2 ton M3.5x16t, 3-5 ton M3.5x12t.

4.Traversing motor standard supply, 50 Hz or 60Hz all used 4 pole, or please specify.

TB series



SPECIFICATIONS & DIMENSIONS :

Model	Capacity (ton)	Lift (m)	Hoisting						Traversing						Wire Rope		Approximate Dimension (mm)								Approximate Weight (kg)
			Speed(m/min)		Motor kw pole	ED %		Speed(m/min)		Motor kw pole	ED %		φ mm	R/F	H	A		B		C		D		Adjust for Std. I-Beam (mm)	
			60Hz	50Hz		Single	Dual	60Hz	50Hz		Single	Dual				Single	Dual	Single	Dual	Single	Dual	Single	Dual		
TBH-500DB	5	6	7.3	6.1	7.5 4P	40	40/20	18	15	0.6 4P	40	40/20	φ 10	2/4	1250	553	722	875	220	255	488	513	125-175	590	
TBHD-500DB		9	7.3/2.4	6.1/2.0	7.5/2.5 4/12P	40	40/20	18/6	15/5	0.6/0.2 4/12P	40	40/20	φ 10	2/4	1250	603	772	925	220	255	488	513	125-175	630	
TBH-750DB		12	7.3	6.1	11 4P	40	40/20	20	17	1.1 4P	40	40/20	φ 14	2/4	2000	743	912	1065	240	240	612	612	150-200	710	
TBHD-750DB	7.5	6	7.3/2.4	6.1/2.0	11/3.7 4/12P	40	40/20	20/6	17/6	1.1/0.37 4/12P	40	40/20	φ 14	2/4	2000	608	867	929	240	240	612	612	150-200	990	
TBL-1000DB		9	5.0	4.2	11 4P	40	40/20	18	15	1.1 4P	40	40/20	φ 16	1/4	2000	743	1002	1064	380	380	640	725	150-200	1020	
TBLD-1000DB		12	5.0/1.7	4.2/1.4	11/3.7 4/12P	40	40/20	18/6	15/5	1.1/0.37 4/12P	40	40/20	φ 16	1/4	2000	833	1092	1075	380	380	640	725	150-200	1060	

1.R/F=Reeving/falling numbers.

2.Dual speed model under green shadow.

3.Traversing pinion 5 ton M3.5x12t, 7.5 ton M3.5x20t, 10 ton M3.5x23t.

4.Traversing motor standard supply, 50 Hz or 60Hz all used 4 pole, or please specify.

5.Traversing motor: 5 ton used planetary reducing gear motor, 7-10 ton used reducing gear motor.

PRODUCT GUIDE

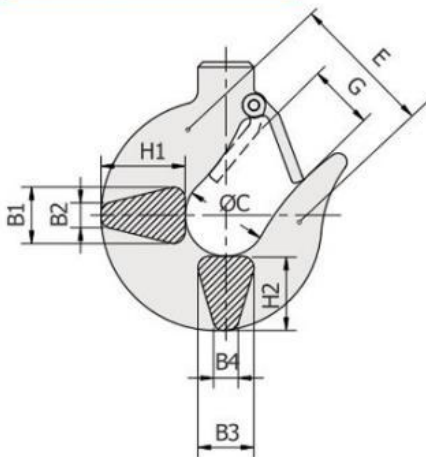
Capacity (ton)	Monorail High Speed	Crab High Speed	Footmount High Speed	Monorail Low Speed	Crab Low Speed	Footmount Low Speed	Dual Speed
1	TPM-100DB		FPM-100DB				TPMD-100DB
2	TKM-200DB	SKM-200DB	FKM-200DB				TKMD-200DB SKMD-200DB
2	TKH-200DB	SKH-200DB	FKH-200DB				TKHD-200DB SKHD-200DB
3	TGM-300DB	SGM-300DB	FGM-300DB	TKL-300DB	SKL-300DB	FKL-300DB	TGMD-300DB SGMD-300DB TKLD-300DB SKLD-300DB
3	TGH-300DB	SGH-300DB	FGH-300DB				TGHD-300DB SGHD-300DB
5	TBH-500DB	SBH-500DB	FBH-500DB	TGL-500DB	SGL-500DB	FGL-500DB	TBHD-500DB SBHD-500DB TGLD-500DB SGLD-500DB
7.5	TBH-750DB	SBH-750DB					TBHD-750DB SBHD-750DB
10		SCAH-1000DB		TBL-1000DB	SBL-1000DB		SCAHD-1000DB SBLD-1000DB TBLD-1000DB
15		SFAH-1500DB			SEAL-1500DB		SEALD-1500DB SFAHD-1500DB
20					SCAL-2000DB		SCALD-2000DB
30					SFAJ-3000DB		SFAJD-3000DB

WIRE ROPE



Rope Dia (mm) d	Mode Being Used	Construction	Specified Breaking Load (kn)
φ 8	TPM-100DB FPM-100DB TKH-200DB SKH-200DB FKH-200DB	6x37-A	34
	TKL-300DB SKL-300DB FKL-300DB TGH-300DB SGH-300DB FGH-300DB		53.1
φ 10	TKM-200DB SKM-200DB FKM-200DB	IWRC 6xFi(29)-B	67.7
	TGL-500DB SGL-500DB FGL-500DB TBH-500DB SBH-500DB FBH-500DB	IWRC 6xP.Fi(29)-H	84
φ 12	TGM-300DB SGM-300DB FGM-300DB	IWRC 6xFi(29)-B	97.7
φ 14	TBH-750DB SBH-750DB	6x37-H	123
φ 16	TBL-1000DB SBL-1000DB SCAH-1000DB	6x37-H	161
φ 18	SFAH-1500DB SFAJ-3000DB	IWRC 6xFi(29)-H	234
	SEAL-1500DB		289
φ 20	SCAL-2000DB	IWRC 6xP.Fi(29)-H	331

HOOK



Mode	Capacity (ton)	Dimension (mm)									Allow Stress (kg/mm ²)	Hook Block Weight (kg)
		H1	B1	B2	H2	B3	B4	C	G	E		
T,FPM	1	33	23	9	29	23	9	40	27	55	70	10
T,F;SKM	2	45	31	10	41	31	10	45	33	70	70	30
T,F;SKH												
T,F;SGM	3(2.8)	57	38	12	52	38	12	60	42	100	70	40
T,F;SKL												
T,F;SGH												
T,F;SGL	5	75	48	16	68	48	16	75	56	105	70	50
T,F;SBH												
T;SBH	7.5	85	61	22	77	61	22	85	62	140	70	90
T;SBL	10	100	70	28	95	65	28	100	70	130	70	140
SCAH												
SEAL	15	120	85	32	110	83	32	120	82	167	70	220
SFAH												
SCAL	20	140	100	38	130	95	38	140	105	220	70	290
SFAJ	30	140	98	38	130	94	38	140	105	220	100	420



POWER SUPPLY :

▲ Electric wire rope hoist suits majority of the 3-Phase power in different countries, available in 50Hz or 60Hz, voltage from 220V up to 600V.

▲ Dual-volt hoist subject to our confirmation.

PUSH BUTTON SWITCH:

▲ 2-point type : up and down.

▲ 4-point type : up and down : left and right (trolley).

▲ 6-point type : up and down : left and right : forward and reverse (end carrier)

LIFTING HEIGHT:

▲ Standard lifting height :

Please refer to specifications.

▲ Optional height available upon request.

FEDERATION EUROPEENNE DE LA MANUTENTION

Load spectrum	Cubic mean value Definitions	Average operating time per day in hours							
1 (light)	($k \leq 0.50$) Mechanisms or parts thereof, usually subject to very small loads and in exceptional cases only to maximum loads.	0.25-0.5	0.5-1	1-2	2-4	4-8	8-16	> 16	
2 (medium)	($0.50 < k \leq 0.63$) Mechanisms or parts thereof, usually subject to small loads but rather often to maximum loads.	0.12-0.25	0.25-0.5	0.5-1	1-2	2-4	4-8	8-16	> 16
3 (heavy)	($0.63 < k \leq 0.80$) Mechanisms or parts thereof, usually subject to medium loads but frequently to maximum loads.	≤ 0.12	0.12-0.25	0.25-0.5	0.5-1	1-2	2-4	4-8	8-16
4 (very heavy)	($0.80 < k \leq 1$) Mechanisms or parts thereof, usually subject to maximum or almost to maximum loads.		≤ 0.12	0.12-0.25	0.25-0.5	0.5-1	1-2	2-4	4-8
Classification of Mechanisms FEM 9.511		1 Dm	1 Cm	1 Bm	1 Am	2 m	3 m	4 m	5 m

ISO/FEM(9.511)

Classification of mechanisms:

1 Dm	1 Cm	1 Bm	1 Am	2 m	3 m	4 m	5 m
M 1	M 2	M 3	M 4	M 5	M 6	M 7	M 8

Classification of mechanisms into groups:

Load spectrum	Cubic mean value	Class of operation time									
		V0.06	V0.12	V0.25	V0.5	V1	V2	V3	V4	V5	
		TO	T1	T2	T3	T4	T5	T6	T7	T8	
		Average operating time per day in hours									
		≤ 0.12	≤ 0.25	≤ 0.5	≤ 1	≤ 2	≤ 4	≤ 8	≤ 16	> 16	
1 L1	$k \leq 0.50$			1 Dm	1 Cm	1 Bm	1 Am	2 m	3 m	4 m	
2 L2	$0.50 < k \leq 0.63$		1 Dm	1 Cm	1 Bm	1 Am	2 m	3 m	4 m	5 m	
3 L3	$0.63 < k \leq 0.80$	1 Dm	1 Cm	1 Bm	1 Am	2 m	3 m	4 m	5 m		
4 L4	$0.80 < k \leq 1.00$	1 Cm	1 Bm	1 Am	2 m	3 m	4 m	5 m			

Class of operating time:

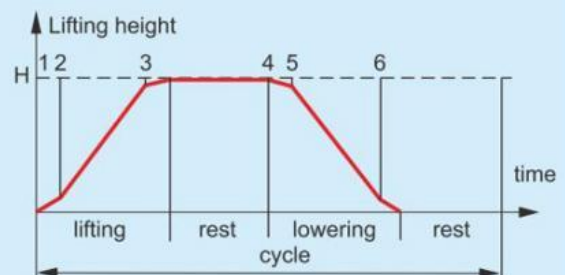
Class of operation time	Average operating time per day (in hours)	Calculated total operating time in hours
V0.06 T0	≤ 0.12	200
V0.12 T1	≤ 0.25	400
V0.25 T2	≤ 0.5	800
V0.5 T3	≤ 1	1600
V1 T4	≤ 2	3200
V2 T5	≤ 4	6300
V3 T6	≤ 8	12500
V4 T7	≤ 16	25000
V5 T8	> 16	50000

OPERATION CYCLE

Hoist with one speed



Hoist with two speed



Professional cranes & hoists for lifting



Taiwan Black Bear Factory



QUANG LIEN Factory



TAIWAN : HOITECH MACHINERY INDUSTRIAL CO., LTD

ADD : No.126, Lane 332, Sec.8, HuanJhong Rd., Wu-Zih, Taichung, Taiwan, R.O.C
TEL : +886-4-2335 3333 FAX : +886-4-2335 3031
E-mail : hoitech2222@gmail.com



VIETNAM : QUANG LIEN CRANE ELEVATOR CO., LTD.

ADD : 299/15^A Ly Thuong Kiet, P.15 - Q.11 - TP.HCM
TEL : +84-8-3863 6666 FAX : +84-8-3864 7212
E-mail : quanglien Crane@hcm.vnn.vn
WEB : www.quanglien.com

- Revision of January, 2015 (Edition No.18) #950105
- No further notice while sizes and dimensions update; Quotations are based on practical dimensions.
- Due to the printing factors, the color of the products is subject to minor deviation from the physical objects.